

# PRISM200

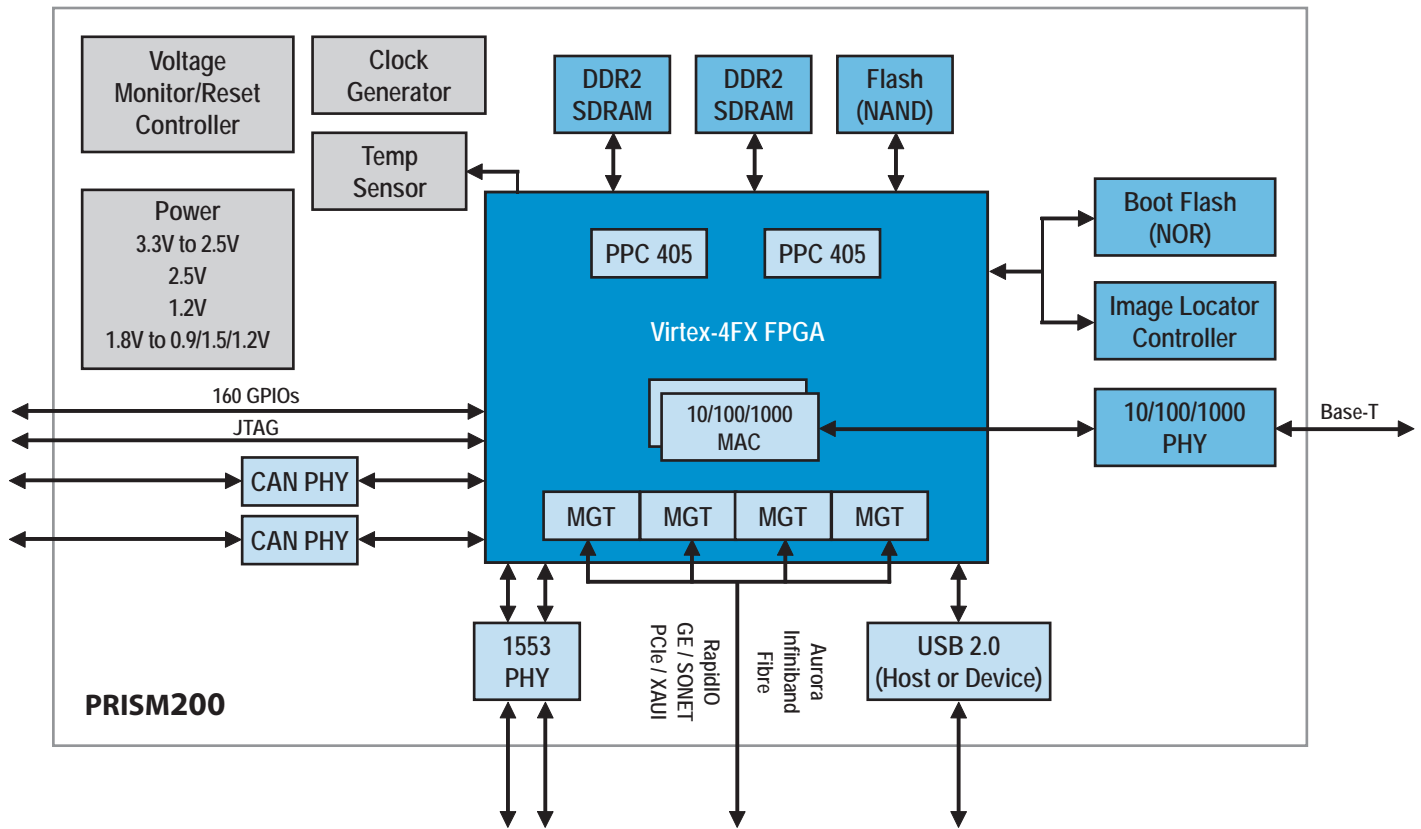


The **PRISM200** is designed for I/O intensive applications where speed and throughput are extremely critical. Featuring a Xilinx Virtex 4-FX with dual embedded PowerPC processors, the PRISM200 provides huge bandwidth throughput with its high speed SERDES IOs. Virtually any industry standard or proprietary interface not typically supported by a common processor can be easily implemented on the PRISM. The PRISM200 can dramatically accelerate design times resulting in faster time to market and is ideal for high-bandwidth applications in communications, medical, and military markets.

## FEATURES

- Combines dual embedded hard processors with an I/O rich FPGA for maximum configurability
- Stores multiple images for fault tolerant applications
- Supports multiple power and performance profiles
- Supports most standard real-time operating systems
- Integrated support and bridging for multiple industry interfaces
- Features a small 3"x3" footprint
- Standard PGA packaging for pin compatible upgrade path
- Guaranteed obsolescence protection
- Available as highly ruggedized offering to deal with harsh environments
- Built-in self test and diagnostics capabilities

## BLOCK DIAGRAM



## SPECIFICATIONS

### COMPONENTS

FPGA	Virtex-4FX (4VFX60)
Processor	Dual Embedded PPC 405 @ 450 MHz
Memory	256MB DDR2 SDRAM
Flash Memory	128MB NAND, 64MB NOR
Interfaces	10/100/1000 Base-T Ethernet PCIe (x4,x1) USB 2.0 (Host or Device) 4x Multi-Gigabit-Transceivers Dual CAN MIL-STD-1553
FPGA GPIOs	160 GPIOs (80 differential)

### MECHANICAL & ENVIRONMENTAL

Dimensions	3"x3" (height 432 mils w/ out heatsink)
Footprint	656 PGA
Power (typical)	4 – 9W
Environmental Specs	Industrial / Commercial

### OPERATING SYSTEM

- Linux
- VxWorks
- Full driver support for all components on the module
- Powerful bootloader support for any OS

### UTILITIES

- Flash memory download software
- Upgrade framework for FPGA and OS images
- NOR Flash-based boot and configuration code for the PPC processor and FPGA
- Remote update utility including Ethernet download capability
- Diagnostics software