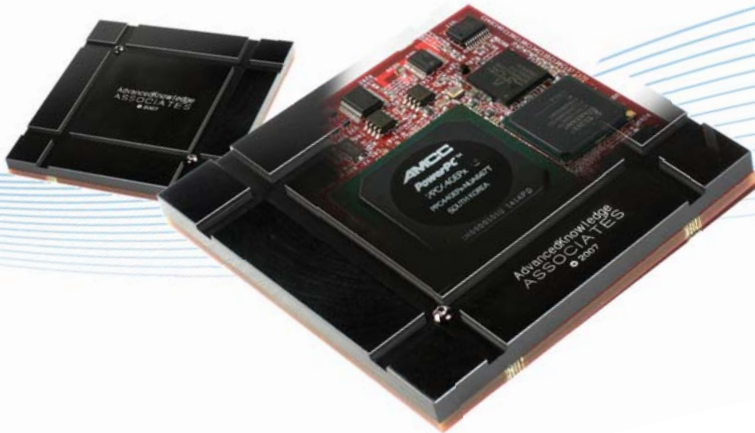


PRISM300

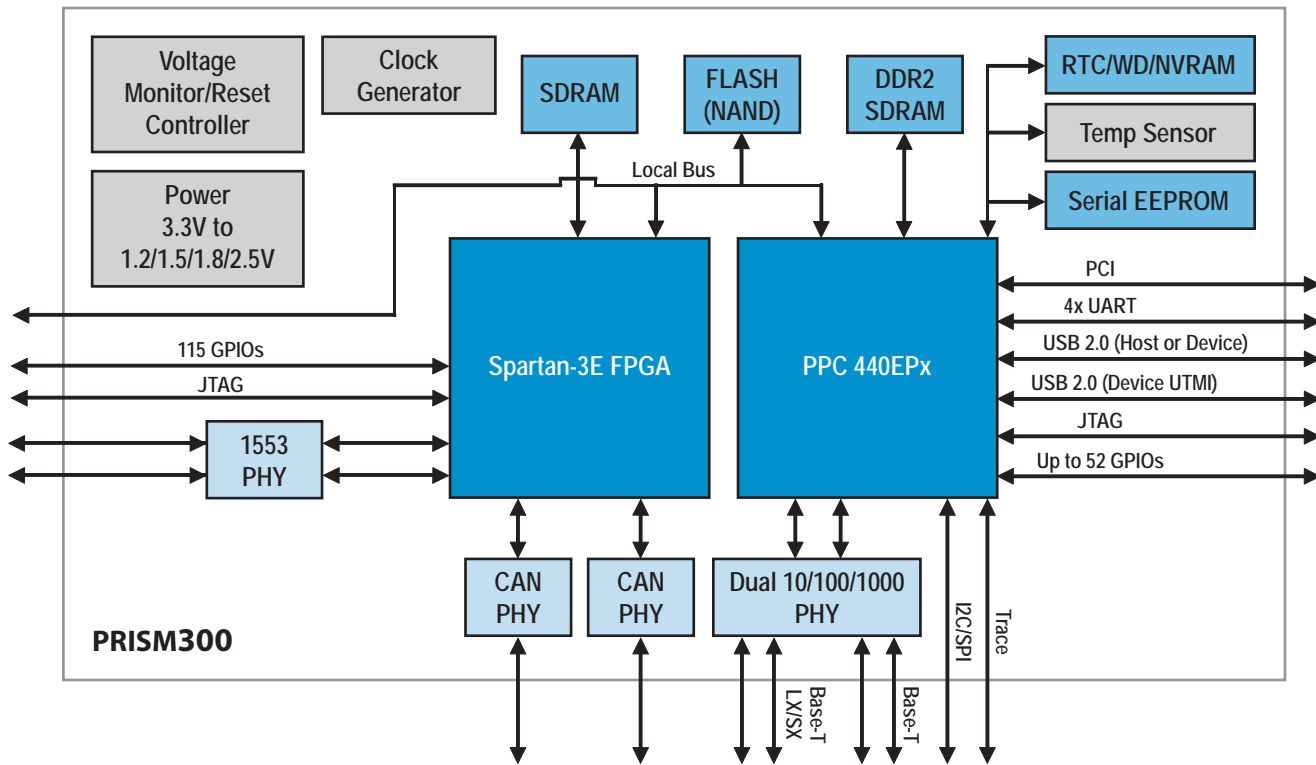


The **PRISM300** is AKA's midrange PRISM offering featuring a PowerPC processor and all its subsystem tightly coupled with a low cost Xilinx Spartan FPGA. The PRISM300 provides a fully programmable and reconfigurable platform that is designed for I/O intensive applications where performance and flexibility are critical. Virtually any industry standard or proprietary interface not typically supported by a common processor can be easily implemented on the PRISM. The PRISM300 can dramatically accelerate design times resulting in faster time to market and is ideal for long life cycle applications in industrial, medical, and military markets.

FEATURES

- Combines an industry standard PowerPC with an I/O rich FPGA for maximum configurability
- Stores multiple images for fault tolerant applications
- Supports multiple power and performance profiles
- Supports most standard real-time operating systems
- Integrated support and bridging for multiple industry interfaces
- Features a small 3.2"x3.2" footprint
- Standard PGA packaging for pin compatible upgrade path
- Guaranteed obsolescence protection
- Available as highly ruggedized offering to deal with harsh environments
- Built-in self test and diagnostics capabilities

BLOCK DIAGRAM



SPECIFICATIONS

COMPONENTS

FPGA	Spartan-3E (XC3S1600E)
Processor	AMCC 440EPx @ 667 MHz
MPU / FPGA Memory	1GB DDR2 SDRAM/32MB SDRAM
Flash Memory	256MB NAND
Interfaces	Dual 10/100/1000 Base-T/Base-LX/SX Ethernet
	USB 2.0 (Host or Device)
	USB 2.0 (Device UTMI)
	PCI (32-bit, 66 MHz)
	Dual CAN
	MIL-STD-1553
	4x UART
	SPI
	I2C
GPIOs MPU / FPGA	52/115 (25 input only)

MECHANICAL & ENVIRONMENTAL

Dimensions	3.2"x3.2" (height 346 mils w/ out heatsink)
Footprint	546 PGA
Power (typical)	6 - 7W
Environmental Specs	Industrial / Commercial

OPERATING SYSTEM

- Linux
- VxWorks
- Full driver support for all components on the module
- Powerful bootloader support for any OS

UTILITIES

- Flash memory download software
- Upgrade framework for FPGA and OS images
- NAND Flash-based boot and configuration code for the PowerPC processor and the FPGA
- Remote update utility including Ethernet download capability
- Diagnostics software